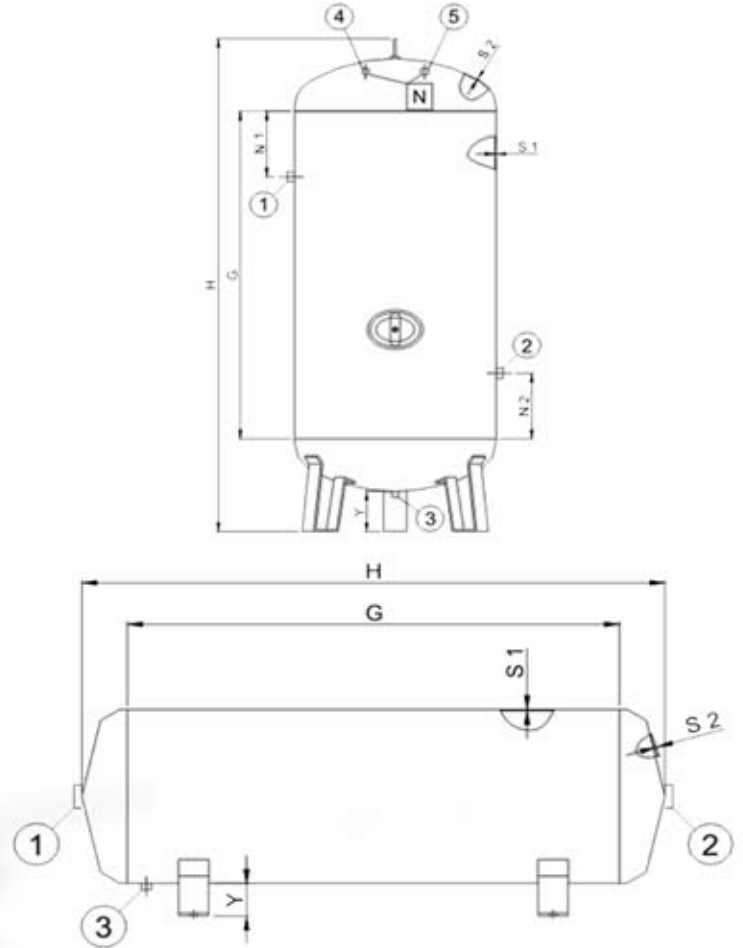


Hava Tankları



Model	Pozisyon	Çap	H	G	B	Y	N1	N2	S1	S2	Menhol	1	2	3	4	5	Ağırlık Kg
TD-100 paint 10 bar	Yatay	384	570	700	85	80			3	4		1/2	1/2	1/2			40
TD-200 paint 10 bar	Yatay	450	1400	1200	100	80			3	4		3/4	3/4	1/2			65
TD-300 paint 10 bar	Yatay	500	1520	1300	110	80			4	5		2	2	1/2			110
TD-500 paint 10 bar	Yatay	640	1860	1500	180	80			5	5		2	2	1/2			150
TD-500 paint 16 bar	Yatay	640	1860	1500	180	80			5	5		2	2	1/2			150
TD-500 Galv. 10 bar	Yatay	640	1860	1500	180	80			5	5		2	2	1/2			150
TD-500 Galv. 16 bar	Yatay	640	1860	1500	180	80			5	5		2	2	1/2			150
TD-500 Paint 10 bar	Dikey	640	2110	1500	180	150	250	250	5	5	110x160	1	1	3/4	1/2	3/4	160
TD-500 Paint 16 bar	Dikey	640	2110	1500	180	150	250	250	5	5	110x160	1	1	3/4	1/2	3/4	160
TD-500 Galv. 10 bar	Dikey	640	2110	1500	180	150	250	250	5	5	110x160	1	1	3/4	1/2	3/4	160
TD-500 Galv. 16 bar	Dikey	640	2110	1500	180	150	250	250	5	5	110x160	1	1	3/4	1/2	3/4	160
TD-1000 Paint 10 bar	Dikey	850	2260	1500	240	180	300	300	6	6	110x160	1 1/4	1 1/4	3/4	1/2	3/4	310
TD-1000 Paint 16 bar	Dikey	850	2260	1500	240	180	300	300	6	6	110x160	1 1/4	1 1/4	3/4	1/2	3/4	310
TD-1000 Galv. 10 bar	Dikey	850	2260	1500	240	180	300	300	6	6	110x160	1 1/4	1 1/4	3/4	1/2	3/4	310
TD-1000 Galv. 16 bar	Dikey	850	2260	1500	240	180	300	300	6	6	110x160	1 1/4	1 1/4	3/4	1/2	3/4	310
TD-2000 Paint 10 bar	Dikey	1200	2460	1500	340	180	300	300	8	8	280x380	2	2	3/4	1/2	3/4	650
TD-2000 Paint 16 bar	Dikey	1200	2460	1500	340	180	300	300	8	8	280x380	2	2	3/4	1/2	3/4	650
TD-2000 Galv. 10 bar	Dikey	1200	2460	1500	340	180	300	300	8	8	280x380	2	2	3/4	1/2	3/4	650
TD-2000 Galv. 16 bar	Dikey	1200	2460	1500	340	180	300	300	8	8	280x380	2	2	3/4	1/2	3/4	650
TD-3000 Paint 10 bar	Dikey	1200	3210	2250	340	180	600	600	8	8	320x420	2 1/2	2 1/2	1	1/2	3/4	850
TD-3000 Paint 16 bar	Dikey	1200	3210	2250	340	180	600	600	8	8	320x420	2 1/2	2 1/2	1	1/2	3/4	850
TD-3000 Galv. 10 bar	Dikey	1200	3210	2250	340	180	600	600	8	8	320x420	2 1/2	2 1/2	1	1/2	3/4	850
TD-3000 Galv. 16 bar	Dikey	1200	3210	2250	340	180	600	600	8	8	320x420	2 1/2	2 1/2	1	1/2	3/4	850
TD-4000 Paint 10 bar	Dikey	1400	3330	2250	400	180	600	600	8	8	320x420	3	3	1	1/2	3/4	1050
TD-4000 Paint 16 bar	Dikey	1400	3330	2250	400	180	600	600	8	8	320x420	3	3	1	1/2	3/4	1050
TD-4000 Galv. 10 bar	Dikey	1400	3330	2250	400	180	600	600	8	8	320x420	3	3	1	1/2	3/4	1050
TD-4000 Galv. 16 bar	Dikey	1400	3330	2250	400	180	600	600	8	8	320x420	3	3	1	1/2	3/4	1050
TD-5000 Paint 10 bar	Dikey	1400	4080	3000	400	180	600	600	8	8	320x420	3	3	1	1/2	3/4	1250
TD-5000 Paint 16 bar	Dikey	1400	4080	3000	400	180	600	600	8	8	320x420	3	3	1	1/2	3/4	1250
TD-5000 Galv. 10 bar	Dikey	1400	4080	3000	400	180	600	600	8	8	320x420	3	3	1	1/2	3/4	1250
TD-5000 Galv. 16 bar	Dikey	1400	4080	3000	400	180	600	600	8	8	320x420	3	3	1	1/2	3/4	1250
TD-6000 Paint 10 bar	Dikey	1500	4140	3000	420	200	600	600	8	8	320x420	3	3	1	1/2	3/4	1350
TD-8000 Paint 10 bar	Dikey	1700	4310	3000	480	250	600	600	8	10	320x420	4	4	1	1/2	3/4	1700
TD-10000 Paint 10 bar	Dikey	1900	4430	3000	540	250	600	600	8	10	320x420	4	4	1	1/2	3/4	2100
TD-10000 Paint 16 bar	Dikey	1900	4430	3000	540	250	600	600	8	10	320x420	4	4	1	1/2	3/4	2100
TD-10000 Galv. 10 bar	Dikey	1900	4430	3000	540	250	600	600	8	10	320x420	4	4	1	1/2	3/4	2100
TD-10000 Galv. 16 bar	Dikey	1900	4430	3000	540	250	600	600	8	10	320x420	4	4	1	1/2	3/4	2100

Opsiyonel Özellikler

* Hava tanklarımız toz boyalıdır.

- 16 bar
- 40 bar
- Galvanizli
- Paslanmaz
- Otomatik Drain Valf